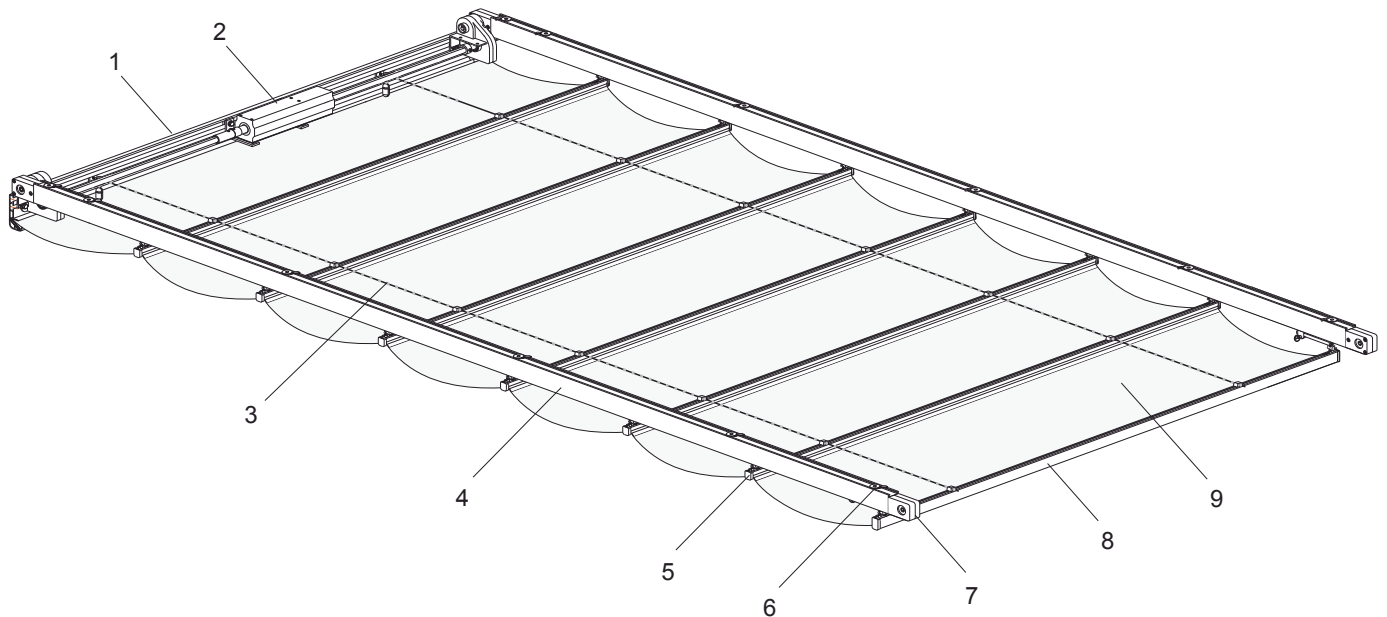


Technical Blind Specialists – Interior Shading System RT-1



1. wall profile
2. motor
3. bead chain
4. guide rail
5. fabric rail
6. tension lever
7. belt drive housing
8. fabric rail reinforced
9. fabric

Attention:

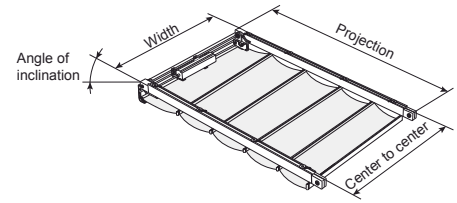
Please check shipment for transportation damages.
Please also check if the shipment is corresponding with the attached delivery note.

Before installing, the static of the substructure has to be checked.
Technical Blind Specialists shading systems are maintenance free.
If there is a failure, please inform us.

Technical details

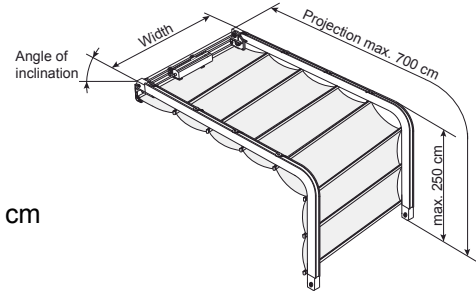
RT-1H

Width: from 65 cm to 325 cm
 Projection: from 125 cm to 700 cm
 Angle of inclination: from 0° to 40°
 Coupled with motor: max. 4 systems, up to a max. total width of 600 cm, max. total surface of 25m²
 Coupled with gear: max. 3 systems, up to a max. total width of 600 cm, max total surface of 25m²

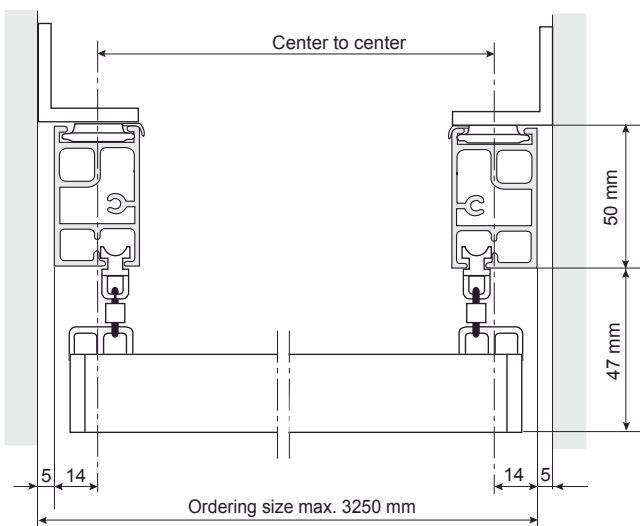
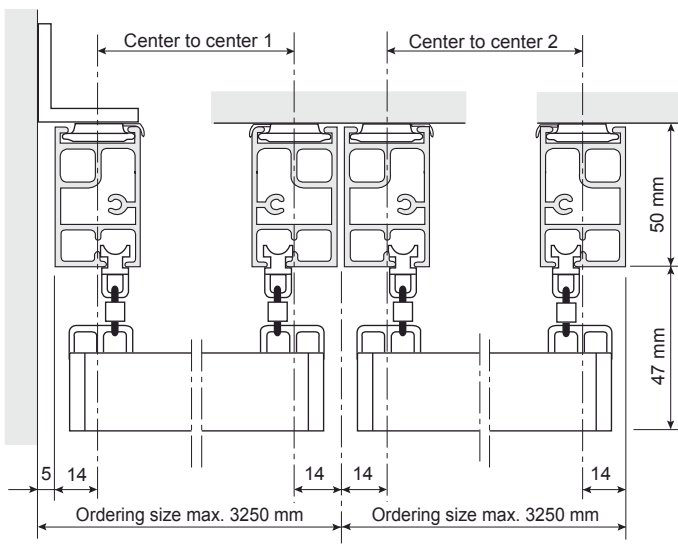


RT-1HV

Width: from 65 cm to 325 cm
 Projection: from 125 cm to 700 cm, vertical height max. 250 cm
 Total projection: projection + vertical height up to 700 cm
 Angle of inclination: from 0° to 40°
 Coupled with motor: max. 3 systems, up to a max. total width of 500 cm, max. total surface of 20m²
 Coupled with gear: max. 2 systems, up to a max. total width of 400 cm, max total surface of 20m²



Projection and center to center



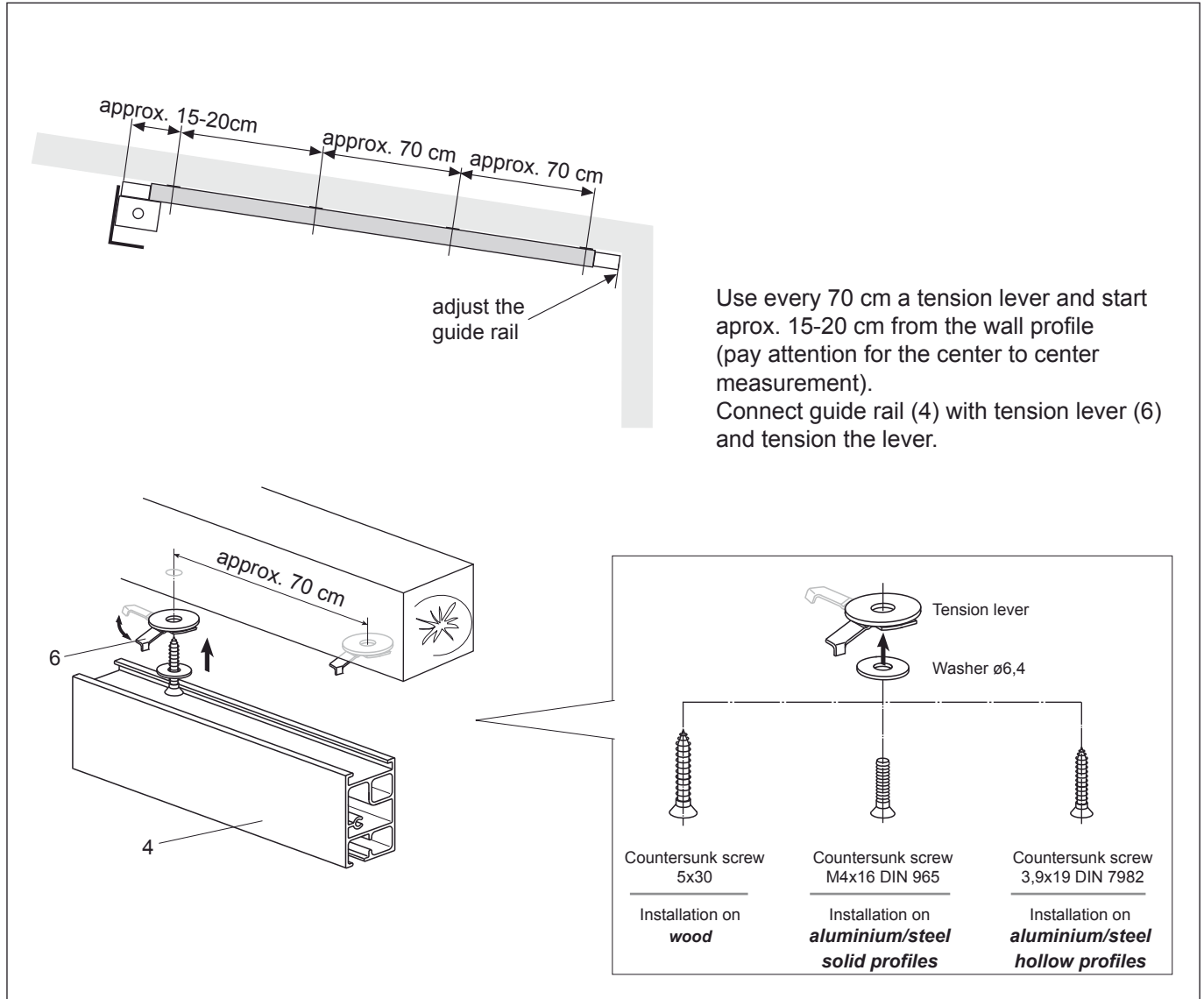
Please take the center to center measurement from the delivery note

Technical Blind Specialists – Interior Shading System RT-1 Installation Instruction

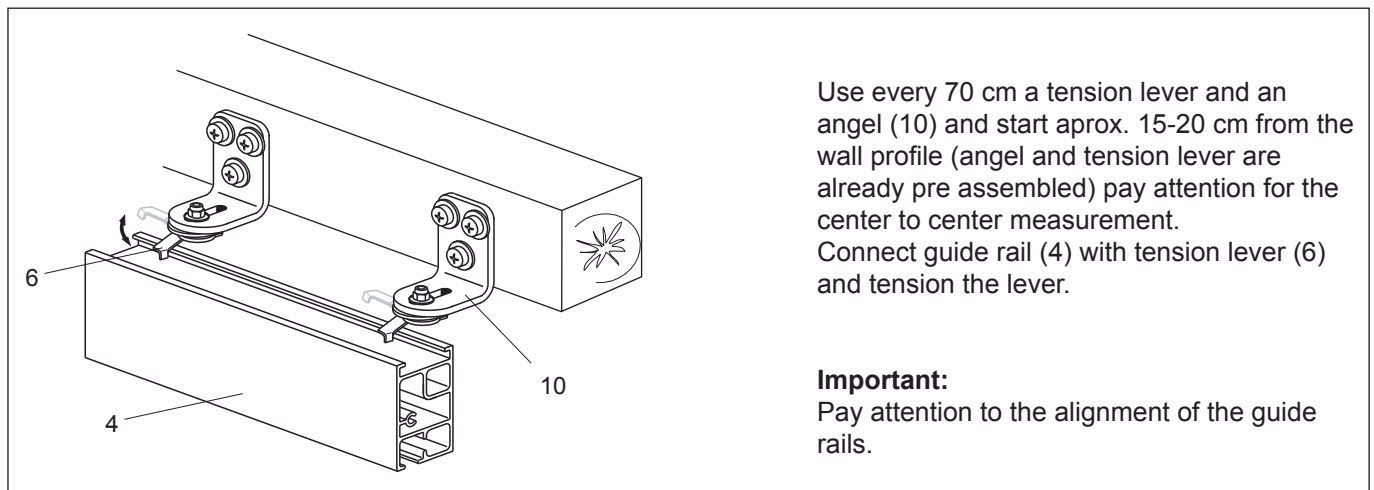
Installation versions:

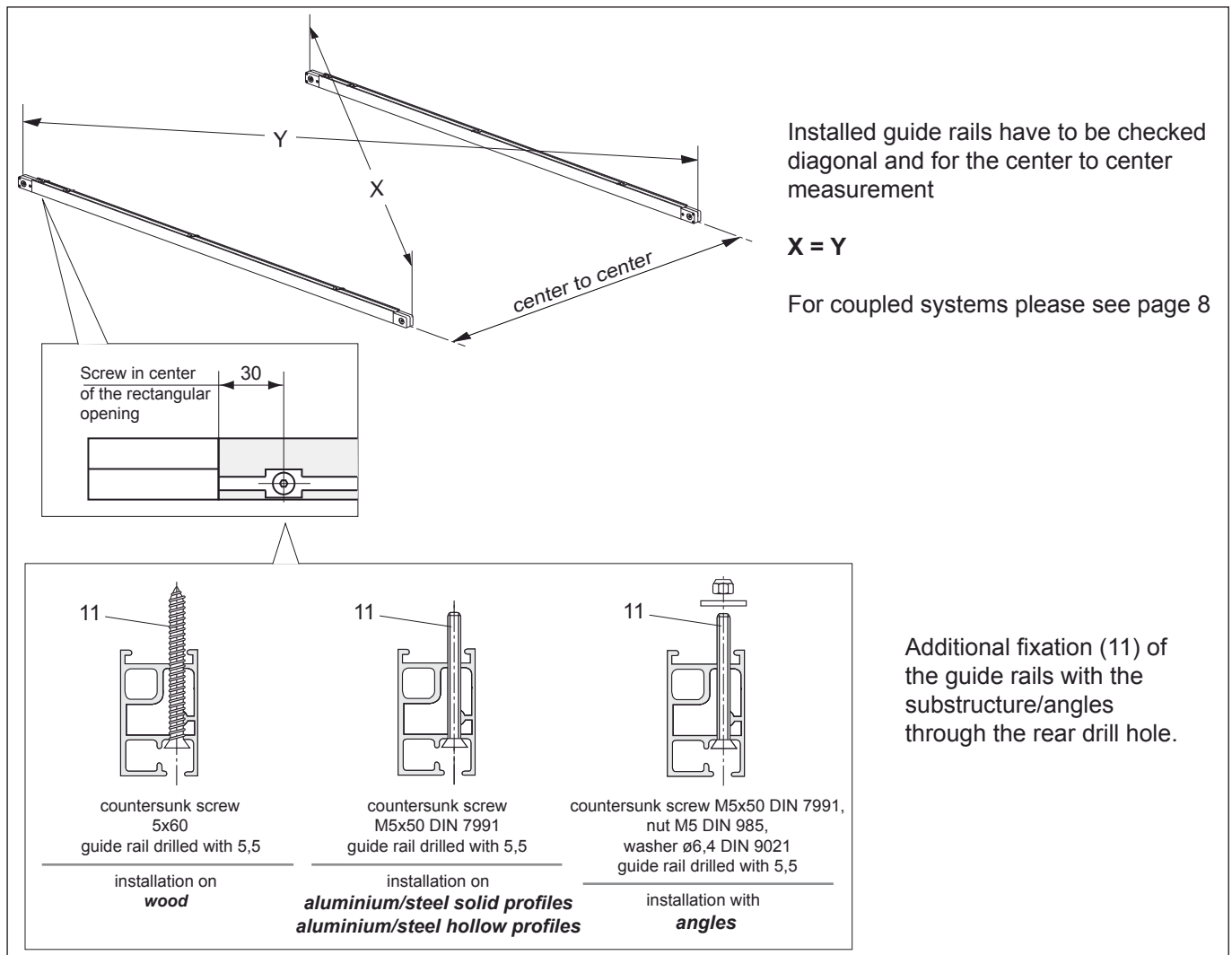
1. version 1 under a substructure with tension levers
2. version 2 between a substructure with angles and tension levers

1. Installation version 1 under a substructure with tension levers

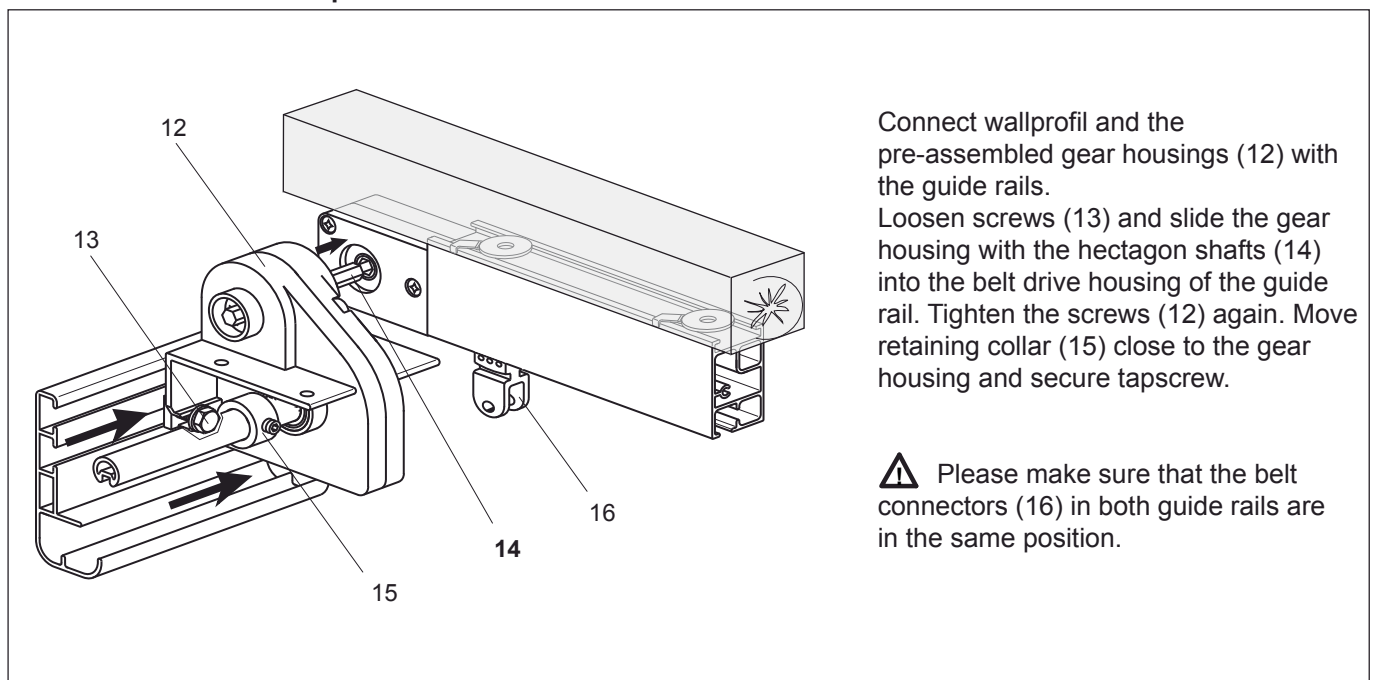


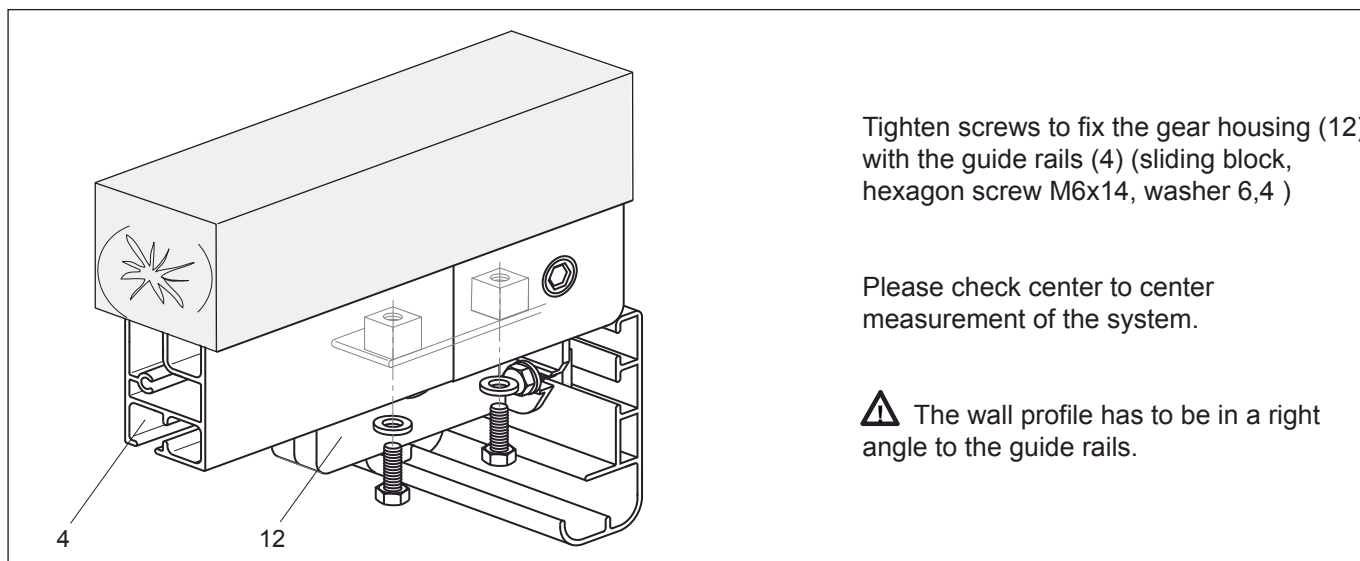
2. Installation version 2 between a substructure with angles and tension levers





3. installation of the wall profile





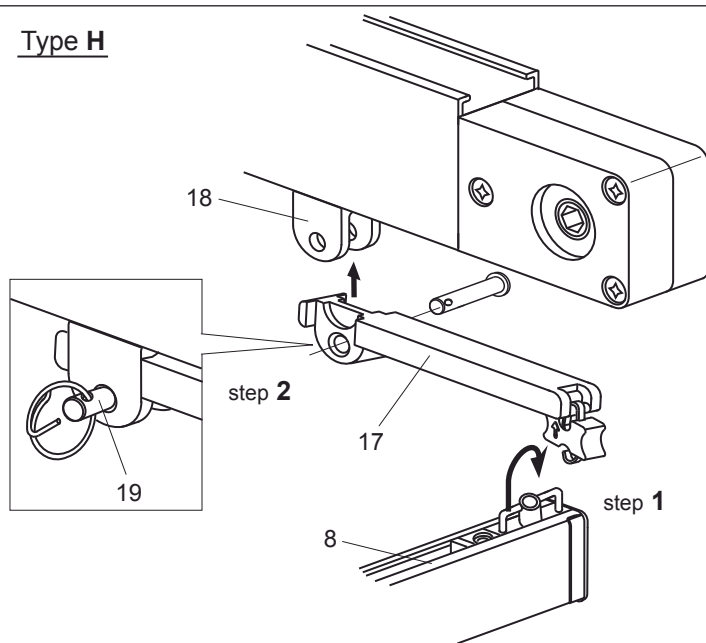
Tighten screws to fix the gear housing (12) with the guide rails (4) (sliding block, hexagon screw M6x14, washer 6,4)

Please check center to center measurement of the system.

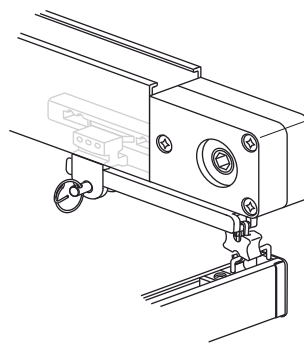
⚠ The wall profile has to be in a right angle to the guide rails.

4. Installation of the reinforced fabric rail

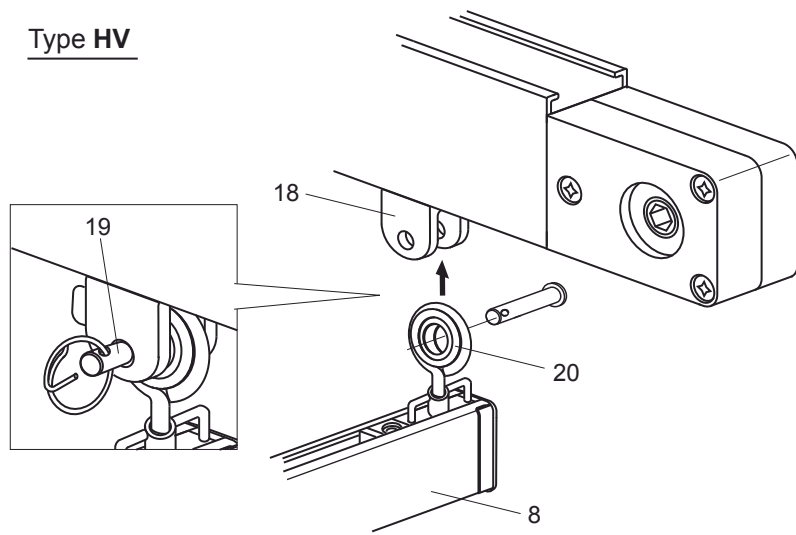
Type H



Hook the reinforced fabric rail (8) into the bracket (17) and lock it. Connect the bracket (17) with the belt connector (18) and secure it with bolt and ring (19) See detail.

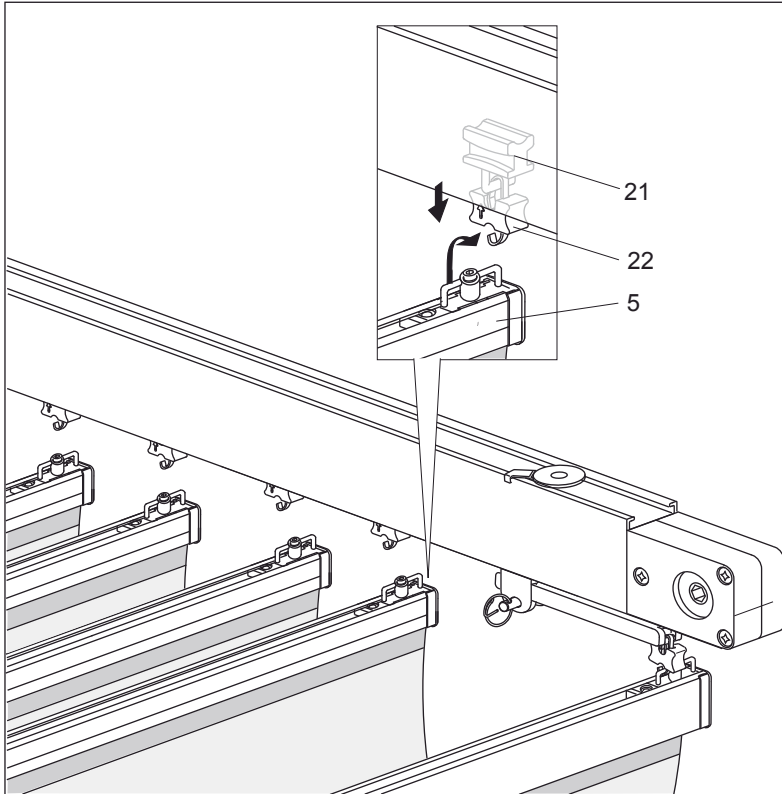


Type HV



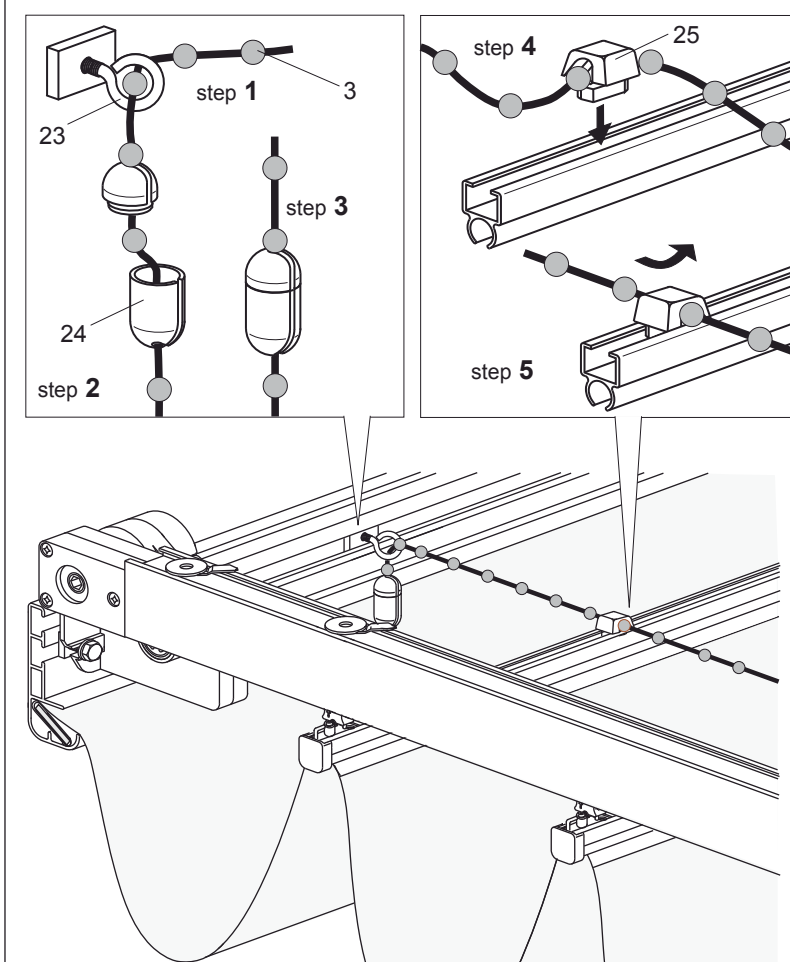
Hook the reinforced fabric rail (8) with the eyebolt (20) into the belt connector (18) and secure it with Bolt and ring (19).

5. Attachment of the fabric rails



Hook the fabric rails (5) into the pre-assembled sliders (21) and lock them by pulling the clamping (22) down.

6. installation of the bead chain

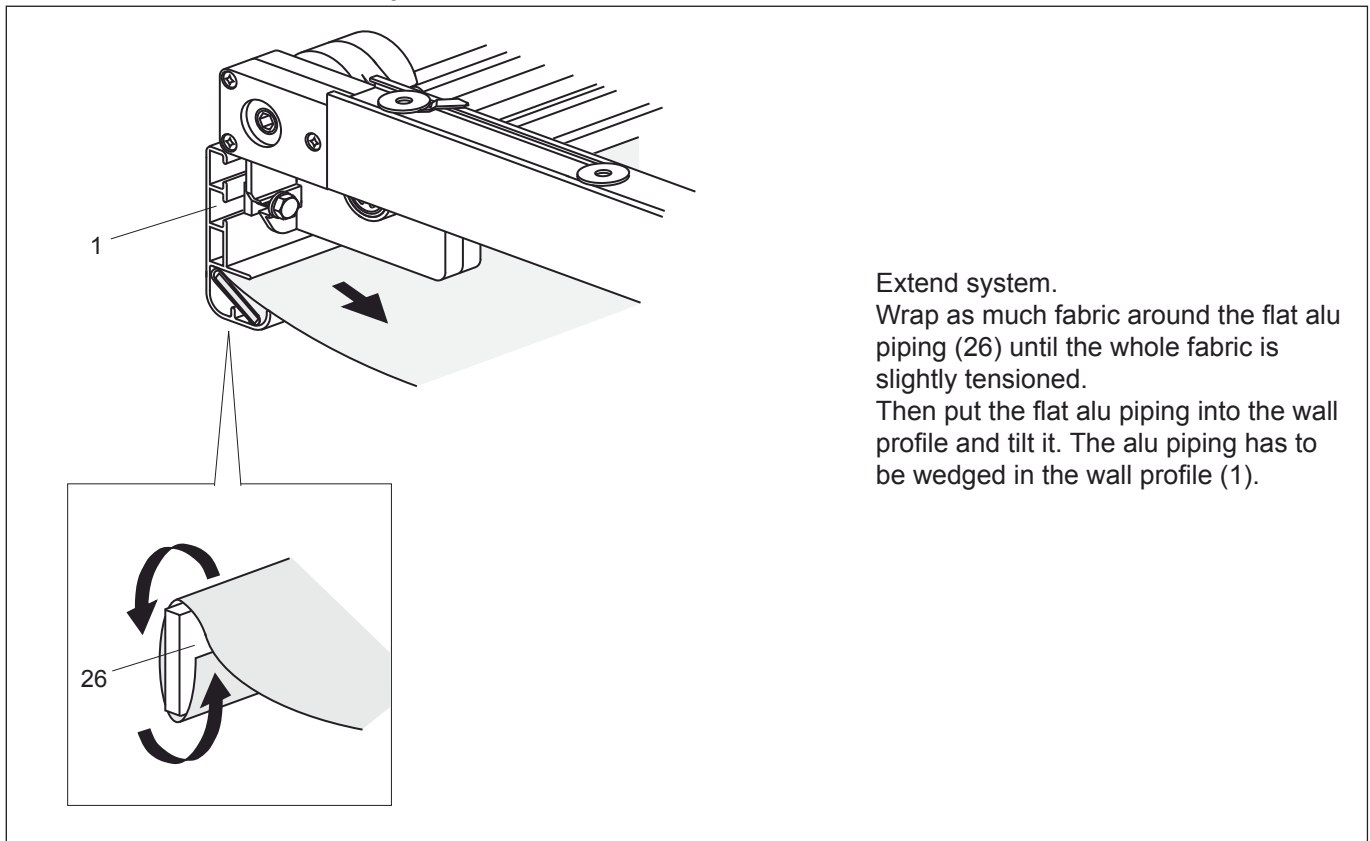


Attach bead chain (3) as shown (step 1-3) with the ring bolt (23) and the 2-part bead chain lock (24) and fix it with the wall profile.

Afterwards connect bead chain holder (25) with the fabric rails and lock them with a right turn.

The bead chain regulates the distance between the fabric rails. You can change the distance between the fabric rails, changing the position of the bead chain holder on the bead chain. If you make a left turn with the bead chain holder, you unlock it and take it off the fabric rail. Now change the position on the bead chain, put it back on the fabric rail and turn right to lock again.

7. Connection fabric and wall profile

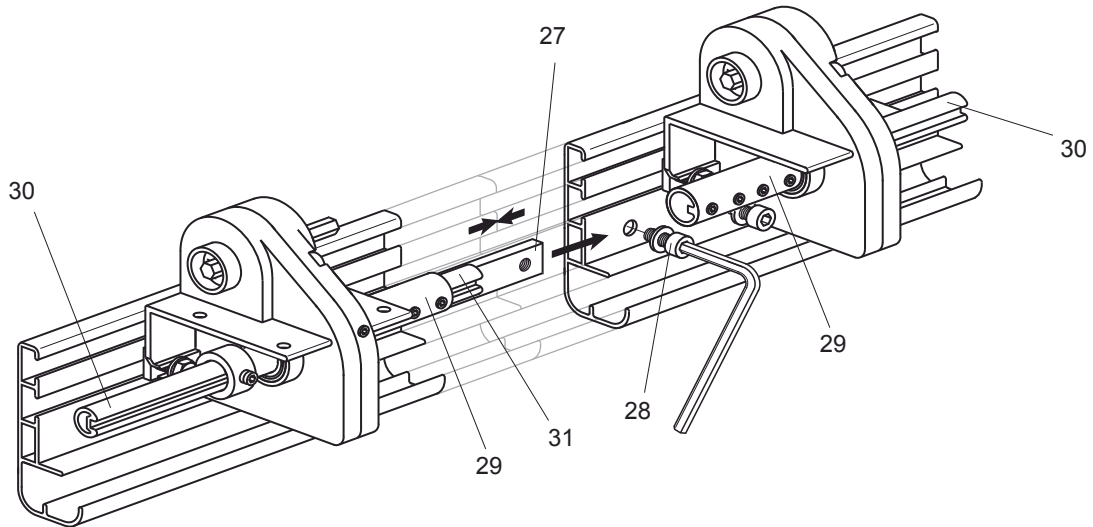


Extend system.

Wrap as much fabric around the flat alu piping (26) until the whole fabric is slightly tensioned.

Then put the flat alu piping into the wall profile and tilt it. The alu piping has to be wedged in the wall profile (1).

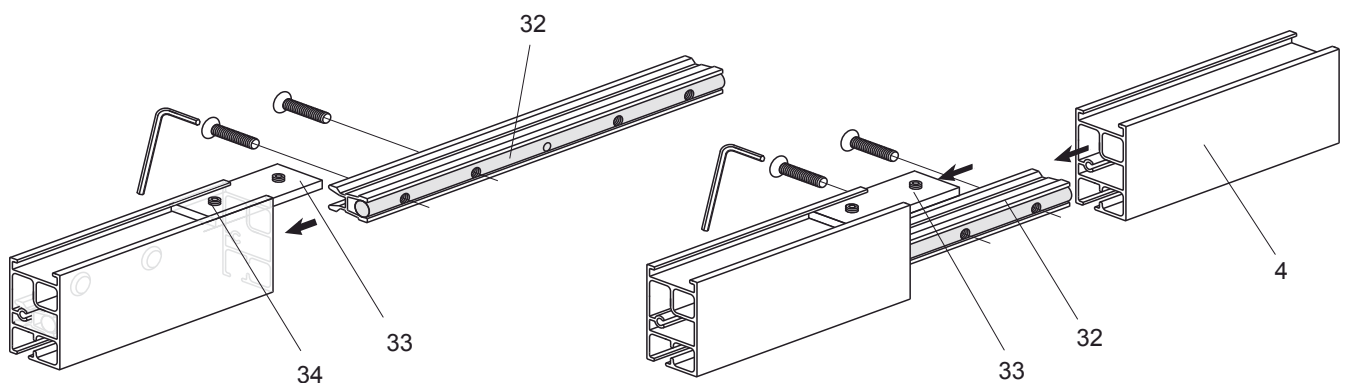
8. Coupling Wallprofile and track



Installation of the field with motor has to be done like a single field.
Screw guide rail to the wall or ceiling and watch center to center measurement.
Connect wall profile with the guide rails. Put coupling profile for wall profile (27) into the groove of the wall profile and secure it with the screw and washer (28).

Put the coupling pieces (29) for the tracks on both tracks (30) and secure them. Put coupling piece (31) into the track and secure the screws. Now put the 2nd wall profile into the coupling profile of the 1st wall profile and secure the screws. Connect now the 2nd wall profile with the guide rails.

Guide rails



Put coupling with the coupling profile (32) into the guide rail and secure screws. Put coupling piece (33) into the top groove of the guide rail and

secure screws. Now slide the 2nd guide rail (4) into the coupling pieces of the 1st guide rail and secure screws.

9. Installation and adjustment of the gear

